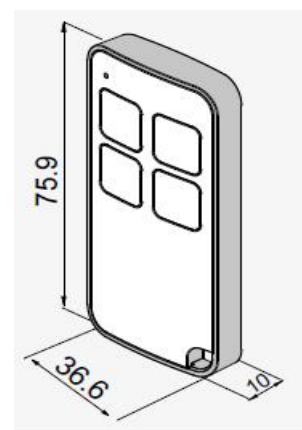


250 S Series Two and Four Button Radio Remotes

The '250 S Series' Two and Four Button Radio Remotes are a compact design for use with Automatic Gates, Garage Doors, Car Turntables and other products requiring a Remote Radio Control



Performance Required	250S-2RP	250S-4RP
Range	Approximately up to 200 metres in the open (the effective range depends on terrain, Antenna quality and possible radio interference)	
Frequency	433.92MHz (± 100kHz)	
Radio Coding	Rolling Code	
Battery	2 x CR2016	
Estimated Battery Life	Approx. 2 years, with 10 operations per day	
Protection Degree	IP40	
Operating Temp	-20 ⁰ – +55 ⁰ c	
LED Colour	Green	
Ordering Code	250S-2RP	250S-4RP



Dimensions



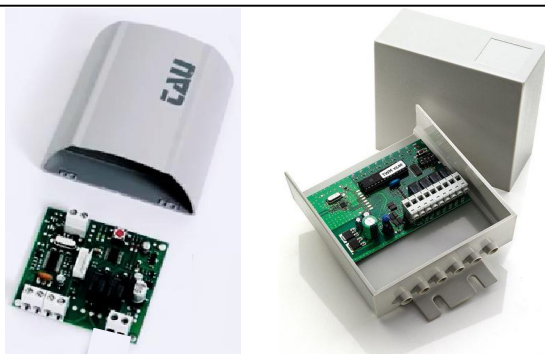
ATTENTION: Battery Replacement

Ensure the Batteries are replaced with the correct ones, (2 x CR2016) as failure to do so may cause an explosion.






250 Series

One, Two and Four Channel 433.92 MHz Radio Receivers



The '250 Series' One, Two and Four Channel Radio Receivers are a compact design for use with Automatic Gates, Garage Doors, Vehicle Turntables and other products requiring a remote radio control

PRODUCT	FEATURES	NUMBER OF CHANNELS	MEMORY/CODES ROLLING CODES ONLY	INPUT VOLTAGE	POTENTIAL FREE CONTACT OUTPUT	MAX. OUTPUT RATING 0.5Amp 30V DC	FIXED PULSE MODE (Approx. 1-2 seconds)	SUSTAINED PULSE/DELAY MODE	BI-STABLE (Step-by-step) MODE
	250RXSM1B	1	14*	12-24V ac/dc	YES	3A	YES	YES**	YES***
	250RXSM2B	2	14*	12-24V ac/dc	YES	3A	YES	YES**	YES***
	250RXDC4	4	62*	12-24V ac/dc	YES	3A	YES	YES**	YES***
	250RXDC4T	4	62*	230V ac	YES	3A	YES	YES**	YES***
	250ANTD1	Tuned Antenna with bracket for 433.92MHz Radio Receivers with a 4 metre lead							

***Code Limitations:** The 14 Memory Slots are across the 2 Channels of the Dual Channel Receivers.
The 62 Memory Slots are across the 4 Channels of the 4 Channel Receivers

**** Timed Mode:** The Output relay contact closes for approx. 3 minutes (cannot be varied)

***** Bi-stable or Step-by-step mode:** At each impulse given by the Radio Remote, the output relay contact changes its logic state: closed-open, open-closed.....